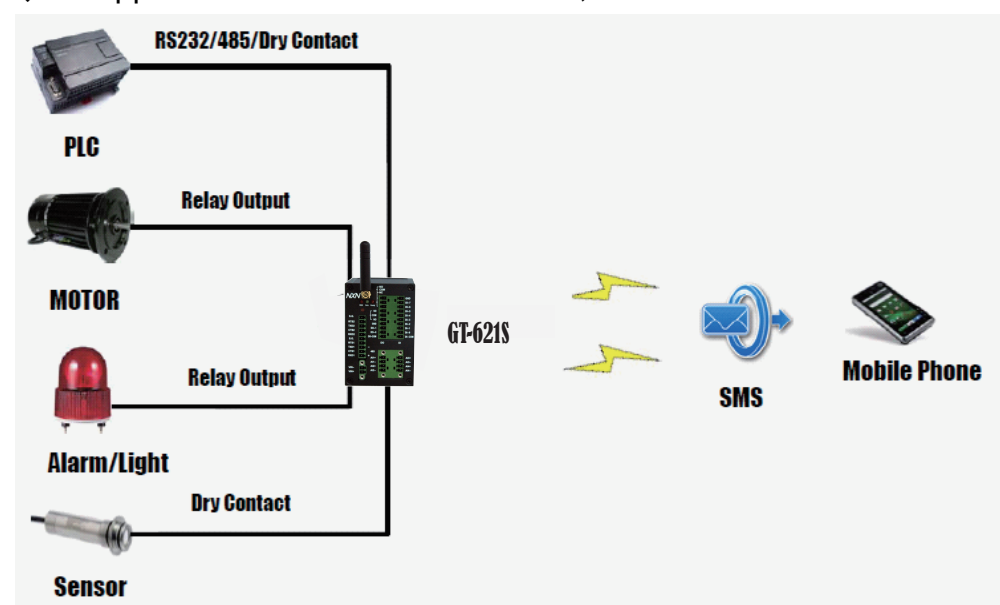


EZdetector GT-621S Intelligent SMS/GSM Alarm Controller

NXN's GT-621S is an enhanced intelligent GSM SMS Alarm Controller with the simple commands and SMS tunnel function designed for industrial applications. It supports UNICODE or 7 bit format which enables users to send SMS messages with various languages. With GT-621S, Analog Input (AI)/ Digital Input (DI) mapping Digital Output (DO) is available. The SMS reports can be delivered to your mobile phone by defined time or AI/DI event trigger, and can be configured as analog signal, counter, state and frequency. Not only users can interrogate the status of I/O through SMS message, PLC can also do it through RS-232 interface, making remote control easier than ever! This plug-and-play device does not require additional programming and is suitable for application such as security system, machine monitoring, fire alarm, and others more...

Features

- ◆ Support 900/1800/850/1900MHz quad –band frequency
- ◆ 8 Digital Inputs (DI), 2 Relay Digital Output (DO), 2 Open collector DO, 4 Analog Input (AI), 2 RS-232 ports (1 can be changed to RS-485 port)
- ◆ Digital input support counter/frequency/state modes
- ◆ Analog input support various input voltage range
- ◆ SMS alarm text message editable, can save up to 20 sets text messages
- ◆ Support Phone book, max.10 default phone numbers per each AI/DI
- ◆ Support Simple command to send SMS via RS-232 or 485 port
- ◆ Support SMS setting and control, Digital output NC/NO interval setting
- ◆ Utilizing mobile phone to control Digital output through SMS message
- ◆ Periodic SMS report
- ◆ Support Analog Input/Digital Input mapping Digital Output function
- ◆ Support login password protection function
- ◆ Built-in Watch-dog Function and DIN Rail design
- ◆ Support max. 140 ASCII characters, 70 Unicode characters



Applications

- ◆ Industrial remote monitor/controller/alarm system
- ◆ Vending Machines, pumps, power generator
- ◆ Industrial security system, fire alarm panels
- ◆ Door security, building supervision
- ◆ HVAC system, water clarification
- ◆ Agriculture usage, Railway system

Specification

MODEL NO.		GT-621S-1D	GT-621S-2C	GT-621S-3A
Interface	RS-232/485	1/1	1/1	1/1
	RS-232	1	1	1
	Digital Input(Dry contact)	8	8	8
	State/counter/frequency	*/-/-	*/-/-	*/*/*
	Digital Output/ Relay output	2/2	2/2	2/2
	Analog Input*	NA	NA	4
General Specification	Processor Environment	Low Power consumption CPU, 32KB SRAM		
	Power Consumption	<3W(searching GPRS), <1.5W(idle)		
	Frequency	900/1800MHz/850/1800MHz		
	Voltage	9~30VDC		
	LED Status Indicator	RUN/READY/INF		
	Data Logger Capacity	2MB		
	Firmware Upgrade	through serial port		
	Parameter Setting	through serial port		
GPRS Specification	Protocol Supported	TCP,PPP		
	GPRS Multi-slot	Class 10		
	GPRS Mobile Station	Class B		
	Code Scheme	CS1,CS2,CS3,CS4		
	PPP-stack	Yes		
Mechanical Specification	Module Approvals	GCF,R & TTE,NCC		
	Operating Temperature	-20°C~60°C		
	Storage Temperature	-30°C~80°C		
	Humidity	5%~95%RH		
	Regulatory Approval	CE,FCC,C-Tick, RoHS		
	Dimension (LxWxH) (mm)	92 x 86 x 62		
	Weight (g)	500		
	SIM Card Holder	3V/5V		
	Terminal Block	Serial port/DIO/power		
	SMA F External Antenna	Yes		
DIN-rail	Yes			
Battery (optional)	1000mAh			

Analog input range $\pm 10V, \pm 5V, \pm 2.5V, \pm 1.25V, \pm 625mV, \pm 312.5mV, \pm 156.25mV$,
Relay output DC:1A at 24VDC, AC:0.5A at 125VAC