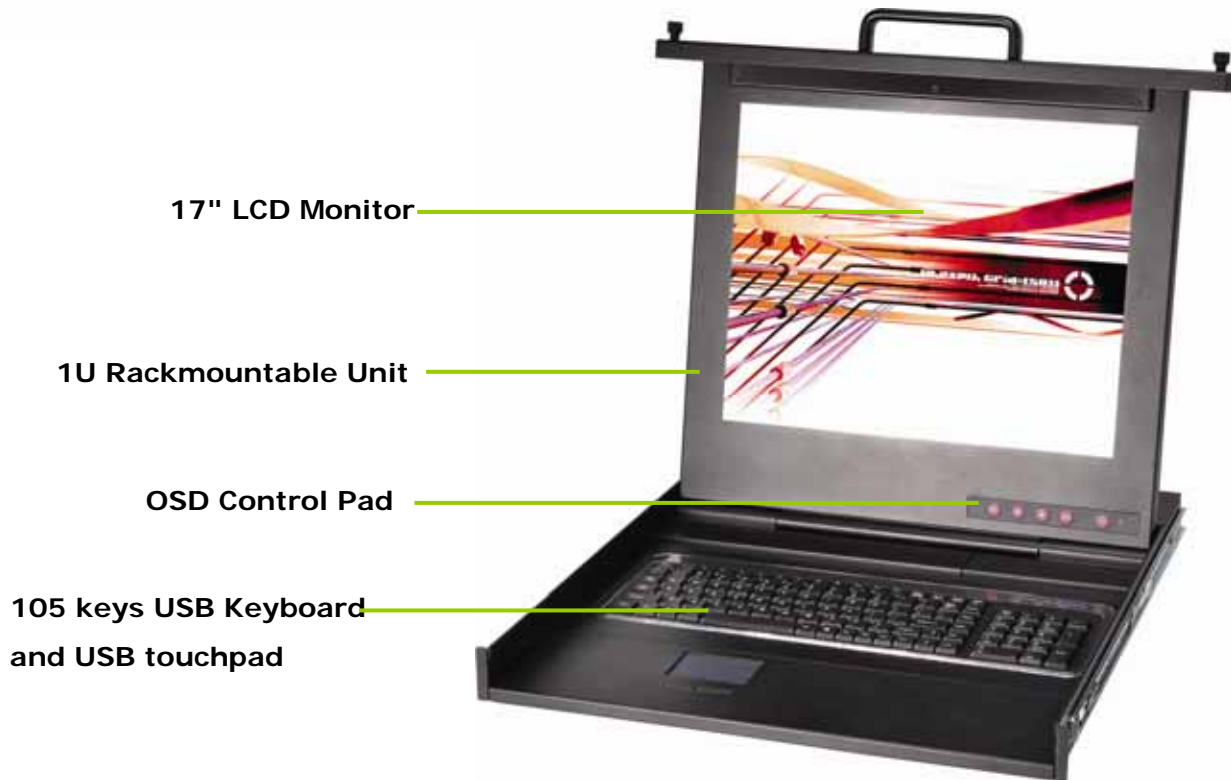




1U 17" LCD & Keyboard Drawer



Introduction

CYCLOPS-K controls single computer from a 19" 1U rackmountable LCD/Keyboard drawer assists in efficient management of valuable space. It provides competitive low cost and more flexible combination. It is equipped with high quality 17" LCD monitor and a 105-key USB keyboard and touchpad. On Screen Display provides you with control over frequency, resolution, backlight luminance and brightness of the video display.

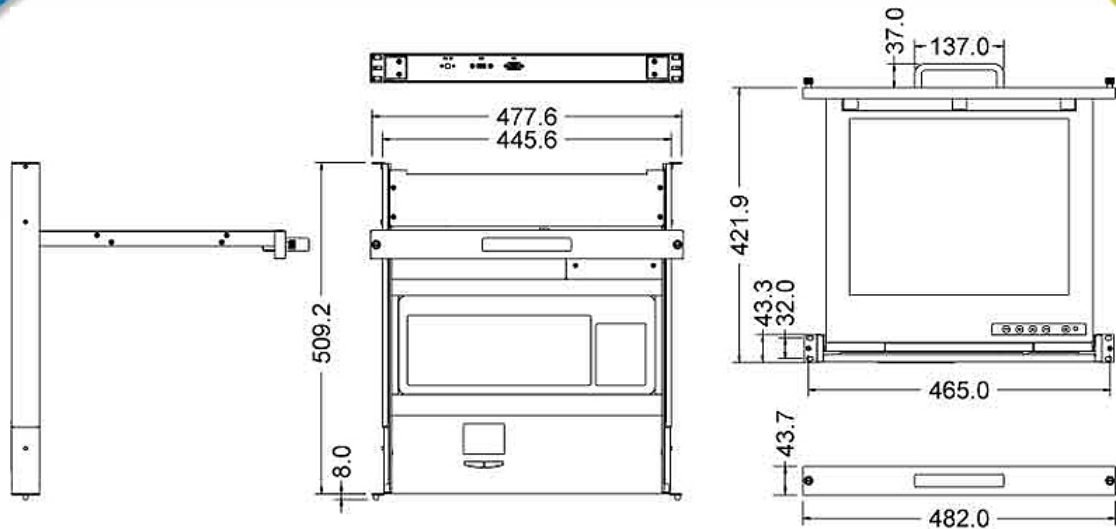
Features

- Cost effective LCD console
- Replaceable keyboard design
- Single rail easy to install and use
- Support more than 17 various keyboard languages
- Bright Active Matrix TFT display
- OSD function (On Screen Display) for LCD display





Mechanical Drawing



Construction

- Heavy Duty Steel

Color

- Black

Panel

- 17" LCD Monitor (1280 x 1024 of resolution)

Pixel Pitch

- 0.264 mm x 0.264 mm

Viewing Angle (CR > 10)

- Right-Left view 60° ~ 70° (Typical)
- Up-Down View 45° ~ 60° (Typical)

Contrast Ratio

- 450 : 1

Response Time

- Rising Time 2 ms, Decay Time 14 ms

Connectors

- (1) VGA HDDB-15 pin, (1) USB, (1) DC Inlet

Keyboard & Mouse

- 105 keys USB keyboard and touchpad

Power Requirement

- 100 ~ 240 VAC input

Power Consumption

- 25 W

Support Operating System

- Dos, Windows (3.1, 9x, 2000, NT4, ME, XP, 2003 Server) Linux, Novell 3.12-6, HP UX, SUN

Dimensions

- 482 (W) x 517.2 (D) x 43.7 (H) mm
- 19.0 (W) x 20.4 (D) x 1.7 (H) inches

Operating Temperature

- 0~50 °C

Gross Weight

- 17kgs/37.5lbs

Ordering Information

CYCLOPS-K171 1U LCD/Keyboard Drawer with 17" LCD, USB keyboard and touchpad

