

WMP-172/S/Plus

17" Intel Core 2 Duo Fanless Medical Panel PC



Web camera
: USB2.0 2M module

TV tuner
: PCI type
(NTSC/PAL/SECAM)

Wireless LAN
: MiniPCI interface 802.11b/g/n
with build in antenna

Features

- 17" medical grade fanless panel PC
- Medical certification compliance (EN60601-1 / UL60601-1)
- Anti-bacteria coating
- Ultra low voltage Intel Core 2 Duo Mobile Processor
- Supports PCI Expansion
- HDD Anti-vibration mechanism
- IP65(IP65 at front panel) / IPX1 compliance
- WebCAM (Optional)
- Supports 802.11b/g/n Wireless Solution with internal antenna (Optional)

System

CPU	Intel® Core™ 2 Duo ULV 1.06G CPU
FSB	533MHz
Chipset	Intel® GME965 chipset + ICH8M
BIOS	Award BIOS, ACPI supported
VGA	Intel® GME965 integrated VGA (X3100)
DVI	One DVI 29 pin output
Audio	Realtek ALC286 Audio Codec, 2+2 watts power amplifier
LAN	Realtek RTL8111B Gigabit Ethernet x 2
Memory	Two Dual Channel DDR2 SODIMM socket supports up to 4GB
I/O	ICH8M
Serial ATA	Port x 1 with 150 MB/s transfer rate x 1
USB	6 USB 2.0 ports (4 ports in the rear I/O region, 2 ports with on-board pin headers)
WDT	Generates system reset; 256 segments

Expansion

PCI x1 Mini-PCI	PCI 2.2 expansion slot x 1 (None for WMP-172S) 32-bit Mini-PCI socket x 1
------------------------	--

External I/O

VGA	DB-15 x 1
DVI	DVI output x 1
Audio Jack	3.5mm phone jack connector (Line-in, Line-out, and Mic-in)
USB	USB 2.0 x 4
COM	x 3 for WMP-172 x 2 for WMP-172S x 2 isolated for WMP-172Plus
KB/Mouse	PS/2 Connector x2 for keyboard/mouse
LAN	RJ45 x2 for Gigabit Ethernet
Power	DC-In connector x 1
Switch	Reset key
Speaker	2W x 2
Front Bezel	LED Indicator/ Hot Key (Power Button/ Audio adjustment +/- / brightness +/-)

LCD and Touch

Panel	17", 1280 x 1024, 380 nits
Touch	Resistive type

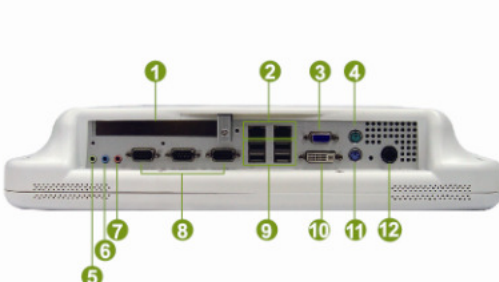
Storage

HDD	2 5" SATA.HDD drive bay x 1 (with anti vibration-mechanism)
CF	1 x bootable Compact Flash slot for CF type I/II storages (None for WMP-172S)

Mechanical & Environmental

Power Input	DC12V-28V
Power Adapter	AC 90 ~ 264V / 47 ~ 63 Hz / DC output 12V
Operation Temperature	0~40°C
Operation Relative Humidity	10%~90%, non-condensing
Dimension	420 x 360 x 83mm (W x H x D)
Weight	6.5kg without AC adapter
Mounting	VESA Mount 75/100mm
Regulation	FCC-B, CE,VCCI EN60601-1/EN60601-1-2 / UL60601-1

IP65 at front / IPX1 compliance

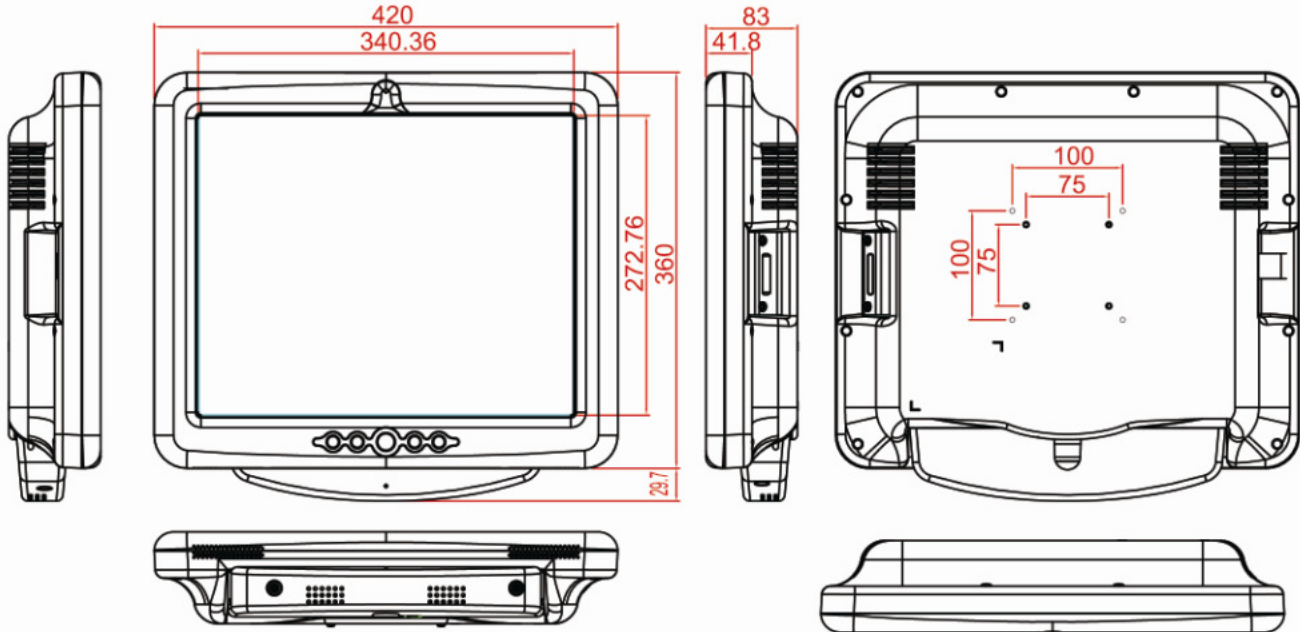


- 1 PCI Slot
- 2 Giga LAN
- 3 VGA
- 4 PS2 Mouse
- 5 Line-out
- 6 Line-in
- 7 Mic
- 8 RS232
- 9 USB
- 10 DVI
- 11 PS2 K/B
- 12 Power DC-in
- 13 Rubber cover
- 14 I/O cover

WMP-172/S/Plus

17" Intel Core 2 Duo Fanless Medical Panel PC

Drawing



Optional

- 2M Webcam
- WLAN card
- TV tuner card/video capture card
- Smart card reader
- IO cover with microphone
- Stand with Anti-Bacteria coating
- Temper glass on LCD
- DC to DC cable

Key Features



HDD Anti-vibration



Wireless LAN



TV tuner or Video Capture

Ordering Information

1. WMP-172: C2D 1.06G Mobile CPU-1GRAM-160G HDD
2. WMP-172S : C2D 1.06G Mobile CPU-1GRAM-160G HDD
3. WMP-172Plus: C2D 1.06G Mobile CPU-1GRAM-160G HDD