

WMP-175

17" Intel Atom D525 Fanless Medical Panel PC



Features

- 17" True Color Diagnostic Panel
- Intel Atom dual core D525 Processor
- HDD Anti-vibration mechanism (For Nursing cart)
- Anti-bacteria coating (Against Escherichia coli & Staphylococcus Aureus)
- Fanless Design
- Supports 802.11 a/b/g/n or b/g/n Wireless Solution with internal antenna (Option)
- USB2.0 WebCAM as option (By different configuration)
- Bluetooth v2.0 module as option
- TV tuner card as option
- Temper glass as option
- RoHS compliance

System

CPU	Atom D525 1.8G
FSB	800MHz
Chipset	South bridge: Intel® ICH8M
Audio	Realtek ALC268 Audio Codec, 2+2 watts power amplifier
LAN	Marvell 88E8071 Gigabit Ethernet x 1
Memory	Single Channel, two DDR3 SODIMM socket support up to 4GB
I/O	Intel® ICH8M
Serial ATA	SATA, 150 MB/s transfer rate x 1, 2nd SATA connector for SATA DOM propose.
Serial port	RS232/422/485 x 1 RS232 x 4
USB	External USB 2.0 type A x 3 Internal Mini-PCIE (for WiFi) x 1 3.3V socket x 2 (For Webcam & Blue tooth) 5V Pin Head to expansion x 2
WDT	Generates system reset; 256 segments, (Seconds/Minutes)
Speaker Output	2W x 2

LCD and Touch

Panel	17" 1280x 1024 380 nits
Touch	17" Resistive type 5 wire through USB port

Storage

HDD	2.5" SATA HDD drive bay x 1
------------	-----------------------------

Expansion

PCI-E/PCI	PCI-E x 4 expansion slot x 1 (Support Wincomm approved part only) Or PCI 2.2 slot x 1 (Support Wincomm approved part only)
Mini-PCIE	52 pin card-edge type x 1 support half/full size (for WLAN module)

External I/O

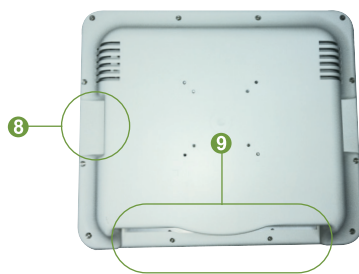
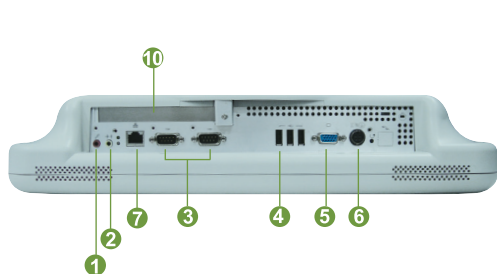
USB	USB 2.0 x 3(type A)
COM	DB-9 x 2 (RS232/422/485 x 1, RS232 x 1)
LAN	RJ-45 x 1 (Gigabit Ethernet)
Audio	3.5mm phone jack connector * 2 (Line-out, and Mic-in)
VGA output	DB-15 x 1

Mechanical & Environmental

Mainbody	Plastic/Hospital white, close to cool gray 3C
Operating Temperature:	0~40°C (Burn-in, not airtight)
Storage Temperature	-20~60°C
Operating Humidity	10 ~ 90%, non-condensing
Storage Humidity	10 ~ 90%, non-condensing
Net Dimensions	420 (W) x 360 (H) x 83 (D) mm
Gross Dimensions	630 (W) x 550 (H) x 200 (D) mm
Net Weights	6.5 kg (w/o power adapter)
Gross Weight	9.0 Kg (w/ power adapter, packing)
IP rating	IP65 at front side //IPX1 whole system
Regulations	CUL60601-1,FCC/VCCI ClassB,EN60601-1/ EN60601-1-2

Power

Power	DC IN 12V@8.33A
Power Adapter	AC 100V~240V

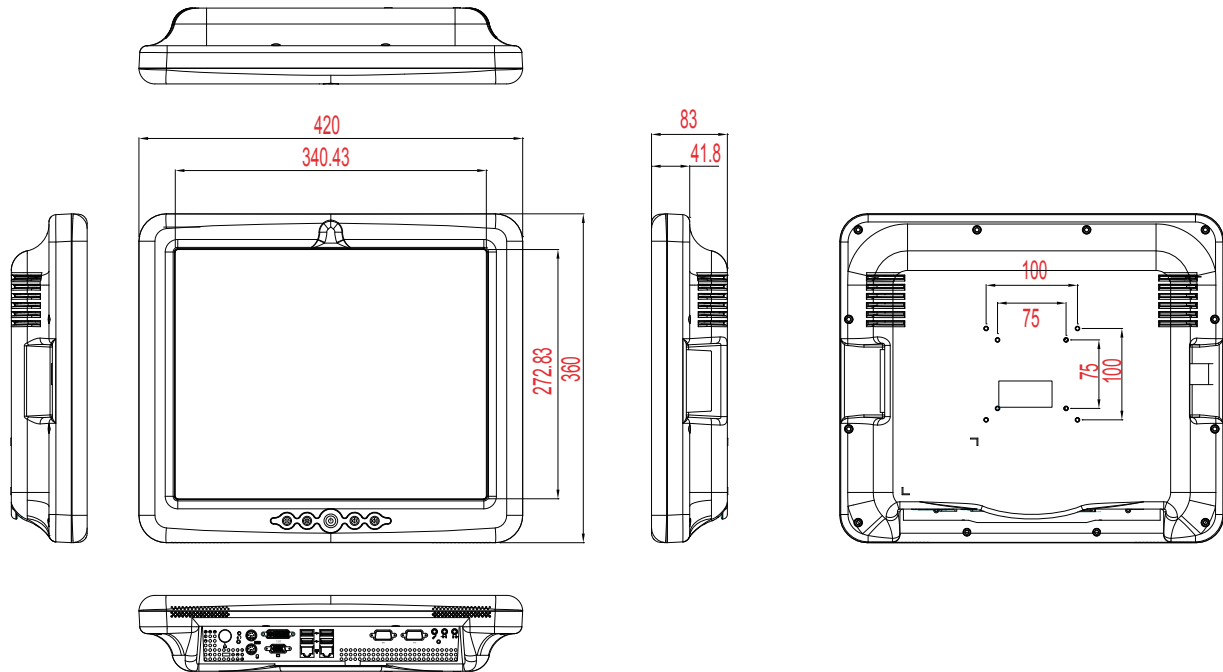


- | | |
|------------|----------------|
| ① Mic | ⑥ Power DC-in |
| ② Line-out | ⑦ Giga LAN |
| ③ RS232 | ⑧ Rubber cover |
| ④ USB | ⑨ I/O cover |
| ⑤ VGA | ⑩ PCI-E or PCI |

WMP-175

17" Intel Atom D525 Fanless Medical Panel PC

Drawing



Optional

1. 2M pixel WebCAM module (By configuration)
2. TV tuner
3. 802.11 b/g/n or a/b/g/n WLAN module
4. Bluetooth module
5. Cable clean I/O cover or I/O cover with Microphone
6. WMP-17 Stand, VESA 75/100, white, L type
7. Isolated transfer board: ISO-422/485 x1, ISO-232 x2 (Design Ready By Project)



Key Features



HDD Anti-vibration



Wireless LAN

Ordering Information

1. WMP-175, WMP-175-DR0A0, Atom D525 1.8G, DDR3 1G, SATA 160G, R-touch, PCI.
2. WMP-175, WMP-175-DR0E0, Atom D525 1.8G, DDR3 1G, SATA 160G, R-touch, PCI-E x4.
3. WMP-175, WMP-175-DR0N0, Atom D525 1.8G, DDR3 1G, SATA 160G, R-touch.



Wincomm Corporation

3F, NO. 14, Prosperity Road II, Science-Based Industrial Park,
Hsinchu, Taiwan 30078, R.O.C

Tel : +886 3 578 0000 Fax: +886 3 578 0295

Web: www.wincomm.com.tw

Contact: sales_support@wincomm.com.tw