

WMS-46PLUS2E

46" Intel Core 2 Duo All-in-one Digital Signage System



Side I/O cover



Bottom I/O cover

Features

- Compact and low noise design
- Smart fan control
- Support 1920x1080 HDTV content
- Easy to swap PC board and option kits
- Structure by Modules
- IO Connectors are Easily Accessed
- VGA outputs for daisy chain Solution
- Fully Support WRDM
- Vista compatible
- Intel Core 2 Dual CPU + Q965 + ICH8 Platform

System

CPU	Intel socket 775 C2D CPU, max speed: 2.66G, max power consumption 65W CPU list: CORE 2 DUO 2.66G E6700 / CORE 2 DUO 2.13G E6400 CORE 2 DUO 2.6G E4700 / CORE 2 DUO 1.8G E4300 CORE 2 DUO 2.4G E6600 / Celeron 800MHz 440
FSB	1066MHz / 800MHz / 533MHz
Chipset	Intel® Q965 chipset: •North bridge: Intel Q965 Graphic Memory Controller Hub (GMCH) (25W) •South bridge: Intel ICH8 I/O Controller Hub (5W)
VGA	Intel Q965 integrated graphic subsystem (GMA3000)
Audio	Realtek ALC268 AC97 Audio Codec 2+2 channels
LAN	Realtek 8111B 10/100/1000 Mbps LAN x 2
Memory	Two 240-pin DDRII 533/667/800 DIMM sockets, dual channels, supports max. 4 GB system memory
I/O	Intel ICH8 I/O controller Hub
Serial ATA	SATA II, Data transfer rates up to 3.0 Gb/s (300 MB/s), 2 on mother board, 2 on connection board
Serial port	RS232 x 1 / RS232,422,485 x 1
Parallel port	Compatible with IBM parallel port x 1 Support Enhanced Parallel Port(EPP) - Compatible with IEEE 1284 specification Support Extended Capabilities Port(ECP) - Compatible with IEEE 1284 specification
IEEE1394a	firewire port x 1 (design in, option, supports provisions of IEEE 1394-1995 Standard for High Performance Serial Bus 1.0 and 1394a-2000)
USB	USB 2.0 x 8 (external x 4 on mother board, internal x 4 on connection board)
DVI	On DVI board, DVI-D port x 2 (one link with AD board, one to computer I/O side)
VGA	On connection board, VGA out x 1
GPIO	•Support 8 General Purpose Input (GPI), TTL level •Support 8 General Purpose Output (GPO), TTL level •5V •internal pin heads on mother board •External connector on computer module (option)
WDT	1~252 minutes, software programmable

LCD Panel

Panel Size	46"
Resolution	1920 x 1080
Luminance (nits)	450
Viewing Angle (H/V)	89/89/89/89
Contrast Ratio	5000:1

Touch Panel

Type	Infrared rays interception detection form
Glove	Yes
Minimum Stylus Size	8 mm
Hardness (Mohs)	7
Glass thickness	3.0(+/-0.3)mm toughened glass

Storage

HDD 3.5" SATAII HDD drive bay x 1

Expansion

PCI-E mini card	Single 52-pin card-edge type x 1
PCI-Ex16	Compatible to the PCI Express* Base Specification revision 1.1a x 1
PCI-Ex1	Compatible to the PCI Express* Base Specification revision 1.1a x 1

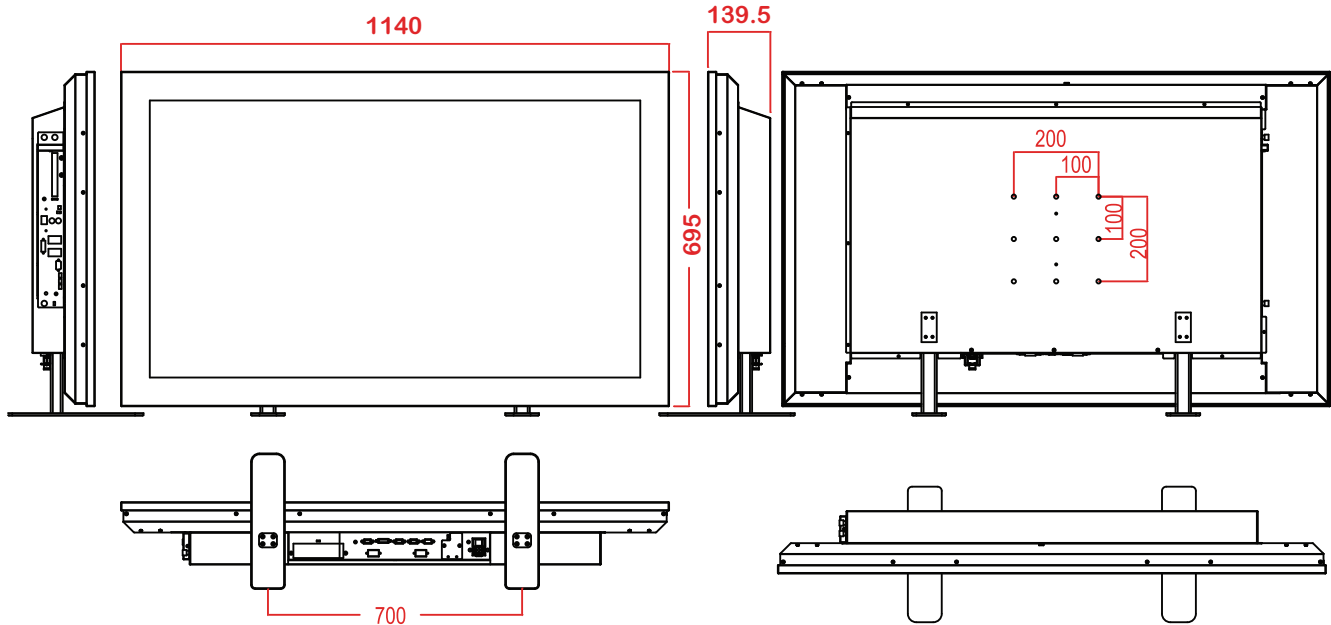
Mechanical & Environmental

Mainbody	SECC, black (Pantone no. 8238)
Operating Temperature	0°C ~ 40°C
Storage Temperature	-20°C ~ 60°C
Operating Humidity	10 ~ 90%
Storage Humidity	10 ~ 90%
Noise Level	Full loading 38 dB
Kensington lock hole	Computer module I/O side x 1, HDD tray x1

WMS-46PLUS2E

46" Intel Core 2 Duo All-in-one Digital Signage System

Drawing -WMS-46PLUS2E BKIT



Options

1. TV tuner function & Video capture function
2. Wireless LAN function: by VIA VNT6656GEV00 PCI-E mini card
3. VGA card function: by TUL ATI HD 4650
4. Stand x2
5. Bottom I/O cover
6. Side I/O cover
7. Web camera (1.3M pixels)
8. Speakers (5W+5W)
9. Wall mount bracket (200 x 200 mmxmm)
10. Magnetic stripe card reader

Power

- Power input** Direct AC connector, ATX power supply to computer board,
100~240VAC, 50/60Hz, 3.6A
- Power consumption and Ampere** Display only: 289W, 3.2A
With computer module: 375W, 4.2A
- Power Switch** IEC320 type, at AD board I/O side, x1
- Reset Switch** Huaifeng Electronic HF606, at computer I/O side, x1
- LED status indicator** Power and HDD indicator at computer board external I/O side
(LED colors: Power: Green / Orange: HDD accessing)

Dimension and Weight

	WMS-46PLUS2EBK	WMS-46PLUS2EBKIT
Weight (without stand) Kg	40.7	48.2
Weight (with stand) Kg	42.7	50.2
Dimensions (without stand) mm (W) x mm (H) x mm (D)	1140*695*139.5	1140*695*156.2
Dimensions (with stand) mm (W) x mm (H) x mm (D)	1140*697*139.5	1140*697*156.2

Ordering Information

1. WMS-46PLUS2EBK(bezel + black body)-C2D2.6G CPU-1G RAM-160G HDD
2. WMS-46PLUS2EBKIT(bezel + black body + IR touch)-C2D2.6G CPU-1G RAM-160G HDD

External I/O

USB	USB 2.0 x 4 (external x 4, internal x 4)
COM	RS232 x 1 (external: RS-232 x 1, internal RS-232/422/485x1)
LAN	RJ-45 x 2 (Gigabit Ethernet)
KB/Mouse	PS/2 Keyboard x1 & Mouse x 1
Audio	Line-in, Mic-in, Line out audio jacks
DVI-D output	x1
IEEE1394 Fire wire	x1(optional)
GPIO	(optional)
VGA output	x1
VGA input	x1