

WMS-55PLUS2(T)

55" All-in-one (Interactive) Digital Signage



Side I/O cover



Bottom I/O cover

Features

- Compact and low noise design
- Smart fan control
- Support 1920x1080 HDTV content & 3D application
- Easy to swap PC board and option kits
- Structure by Modules
- IO Connectors are Easily Accessed
- VGA outputs for daisy chain Solution
- Fully Support WRDM
- Vista compatible
- Intel Core 2 Dual CPU + Q965 + ICH8 Platform

System

CPU	Intel socket 775 C2D CPU, max speed: 2.66G, max power consumption 65W CPU list: CORE 2 DUO 2.66G E6700 / CORE 2 DUO 2.13G E6400 CORE 2 DUO 2.6G E4700 / CORE 2 DUO 1.8G E4300 CORE 2 DUO 2.4G E6600 / Celeron 800MHz 440
FSB	1066MHz / 800MHz / 533MHz
Chipset	Intel® Q965 chipset: •North bridge: Intel Q965 Graphic Memory Controller Hub (GMCH) (25W) •South bridge: Intel ICH8 I/O Controller Hub (5W) Intel Q965 integrated graphic subsystem (GMA3000)
VGA	Realtek ALC268 AC97 Audio Codec 2+2 channels
Audio	Realtek 8111B 10/100/1000 Mbps LAN x 2
LAN	Two 240-pin DDRII 533/667/800 DIMM sockets, dual channels, supports max. 4 GB system memory
Memory	Intel ICH8 I/O controller Hub
I/O	SATA II, Data transfer rates up to 3.0 Gb/s (300 MB/s), 2 on mother board, 2 on connection board
Serial ATA	RS232 x 1 / RS232,422,485 x 1
Serial port	Compatible with IBM parallel port x 1 Support Enhanced Parallel Port(EPP) – Compatible with IEEE 1284 specification Support Extended Capabilities Port(ECP) – Compatible with IEEE 1284 specification
Parallel port	firewire port x 1 (design in, option, supports provisions of IEEE 1394-1995 Standard for High Performance Serial Bus 1.0 and 1394a-2000)
IEEE1394a	USB 2.0 x 8 (external x 4 on mother board, internal x 4 on connection board)
USB	On DVI board, DVI-D port x 2 (one link with AD board, one to computer I/O side)
DVI	On connection board, VGA out x 1
VGA	* Support 8 General Purpose Input (GPI), TTL level * Support 8 General Purpose Output (GPO), TTL level * 5V * internal pin heads on mother board * External connector on computer module (option)
GPIO	WDT 1~252 minutes, software programmable

Display

Resolution	1920x1080
Luminance(nits)	500
View Angle (U/D/R/L,CR>20)	88/88/88/88
Contrast Ratio	4000: 1

Touch

Type	Infrared rays interception detection form
Glove	Yes
Minimum Stylus Size	8 mm
Hardness (Mohs)	7
Glass thickness	3.0(+/-0.3)mm toughened glass

Storage

HDD	3.5" SATAII HDD drive bay x 1, Max storage size: 1TB With tray for easy replacement
-----	--

Expansion

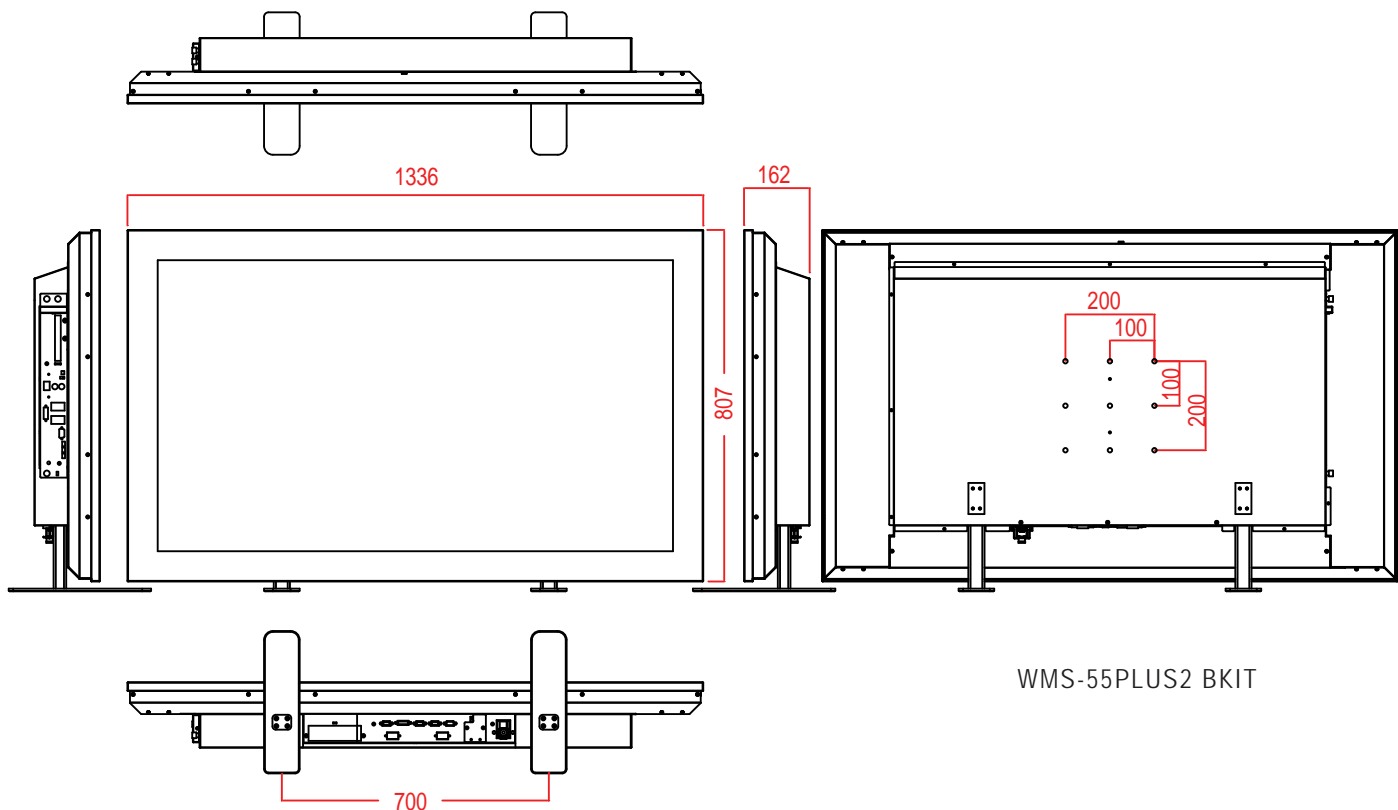
PCIe mini card	Single 52-pin card-edge type, x1
PCIe x 16	Compatible to the PCI Express* Base Specification revision 1.1a x1
PCIe x1	Compatible to the PCI Express* Base Specification revision 1.1a x1

External I/O on computer side

USB	USB 2.0 x 4
COM	RS232 x 1
LAN	RJ-45 x 2 (Gigabit Ethernet)
KB/Mouse	PS/2 Keyboard x1 & Mouse x 1
Audio	Line-in, Mic-in, Line out audio jacks
DVI-D	output x 1
IEEE1394a	Fire wire *1 (option)
GPIO connector	8 in 8 out (option)

All-in-one (Interactive) Digital Signage

Drawing



WMS-55PLUS2 BKIT

External I/O on bottom

VGA output x 1
VGA input x 2
DVI-I input x1
RS232 x 1

Mechanical & Environmental

Mainbody	SECC, black (Panton no. 8238)
Operating Temperature:	0°C ~ 40°C
Storage Temperature	-20°C ~ 60°C
Operating Humidity	10 ~ 90%
Storage Humidity	10 ~ 90%

Power

Power input	Direct AC connector, ATX power supply to computer board, 100-240VAC, 50/60Hz, 3.6A
Power consumption and Ampere	Display only: 249W, 3A With computer module: 320W, 3.6A
Power switch	IEC320 type, at AD board I/O side, x1
Reset switch	Huafeng Electronic HF606, at computer I/O side, x1
LED status indicator	Power and HDD indicator at computer board external I/O side (LED colors: Power: Green / Orange: HDD accessing)

Dimension and Weight

	WMS-55PLUS2 BK	WMS-55PLUS2 BKIT
Weight (without stand) kg	51.3	61.2
Weight (with stand) kg	53.3	63.2
Dimensions (without stand) mm (W) x mm (H) x mm (D)	1336x807x145	1336x807x162
Dimensions (with stand) mm (W) x mm (H) x mm (D)	1336x820x145	1336x820x162

Ordering information

1. WMS-55PLUS2BK(bezel + black body)-C2D2.6G CPU-1G RAM-80G HDD
2. WMS-55PLUS2BKIT(bezel + black body + IR touch)-C2D2.6G CPU-1G RAM-80G HDD