

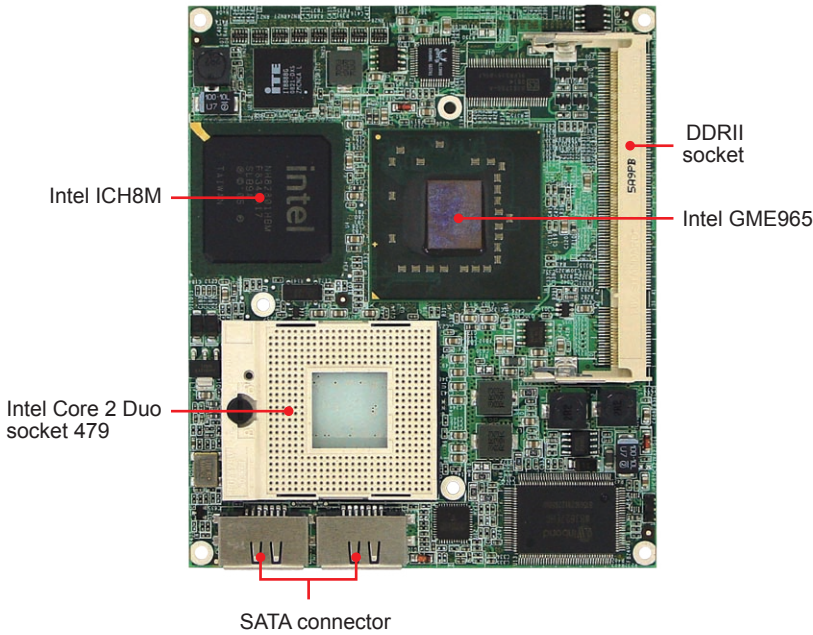
# CM-7100 NEW

## Intel® Core™ 2 Duo ETX Module with CRT/LVDS, LAN, SATA & Audio

COM Express Module  
ETX CPU Module  
3.5 inch Embedded Board  
5.25 inch Embedded Board  
Industrial Motherboard  
PC/104 CPU Module  
Fanless Embedded Box Computer  
Accessories

### Features:

- Embedded Intel® Core™ 2 Duo processor
- One 200-pin DDRII SO-DIMM socket supports up to 2GB
- 10/100Mbps Ethernet interface
- Supports CRT, 18-bit TTL / 24-bit LVDS
- High definition audio
- Two SATA interface on module
- Watchdog timer and system monitoring



System	
<b>CPU</b>	Intel® Core™ 2 Duo processor
<b>BIOS</b>	AMI® SPI BIOS
<b>System Chipset</b>	Intel® GME965 GMCH/ICH8-M Chipset 533/800 MHz FSB
<b>System Memory</b>	1 x 200-pin DDRII SO-DIMM socket supports 533/667MHz memory max. up to 2GB w/o ECC registered
<b>Watchdog Timer</b>	255 levels timer interval, (1 ~ 255 seconds), setup by software. Jumper set up for system reset or IRQ
<b>System Monitoring</b>	Built-in Winbond® 83627HG chipset, supports temperatures and voltages monitoring
<b>Expansion Interface</b>	1 x PCI 2.2 32-bit 33MHz 1 x ISA interface (No ISA bus master, No PnP support)

I/O	
<b>I/O Chipset</b>	Winbond® 83627HG
<b>I/O Interface</b>	2 x E-IDE (Ultra ATA 66), 1 x FDD, 2 x RS-232, 1 x IrDA (115Kbps, 1.0 compliant)
<b>USB</b>	4 x USB ports, USB 2.0 compliant
<b>Audio</b>	High definition audio interface

Ethernet	
<b>Chipset</b>	Intel® 82562GT
<b>Ethernet Interface</b>	IEEE 802.3 10/100Mbps compliant physical layer

Display	
<b>Chipset</b>	Intel® GME965 Integrated
<b>Memory Size</b>	Intel® DVM 4.0 support up to 384MB
<b>Resolution</b>	CRT display mode: 2048 x 1536 x 32bpp (60 Hz); 1920 x 1440 x 32bpp (85Hz); 1600 x 1200 x 32bpp (100Hz) LCD display mode: 1024 x 768@16bpp (60Hz)
<b>LCD Interface</b>	18-bit TTL
<b>LVDS Interface</b>	Dual channel 18/24-bit LVDS

Mechanical and Environment	
<b>Form Factor</b>	ETX
<b>Dimension ( L x W )</b>	114mm (L) x 94mm (W) ( 4.5" L x 3.7" W )
<b>Power Supply Voltage</b>	VCC (4.75V ~ 5.25V)
<b>Power Requirements</b>	70W (Intel® Core™ 2 Duo T7800) 45W (Intel® Core™ 2 Duo U7500)
<b>Operating Temperature</b>	0°C ~ 60°C ( 32°F ~ 140°F )
<b>Operating Humidity</b>	10% ~ 90% relative humidity, non-condensing
<b>Storage Temperature</b>	-20°C ~ 85°C ( -4°F ~ 185°F )
<b>Storage Humidity</b>	5% ~ 95% relative humidity, non-condensing

Packing List	
•	1 x CM-7100 SBC
•	1 x CD (Manual, Quick installation guide, Utility driver)

Ordering Information	
Standard	
<b>CM-7100A</b>	Intel® Core™ 2 Duo ETX Module with CRT/LVDS, LAN, SATA & Audio

\* Note : All specifications are subject to change without prior notice