

Features

- Industrial Display
- Flat front panel touch screen
- Fanless design
- Wide range DC 9~36V power input
- IP66 compliant front panel / IP69K (option)
- VGA/DVI-D/HDMI/DP input
- System power LED light
- High Brightness LCD and Auto Dimming for option
- Support protective AR glass for option (non-touch version)

Specifications

I/O Port	
VGA	1 x VGA
DVI	1 x DVI-D
DP	1 x DP
HDMI	1 x HDMI
Audio	1 x Audio line-in phone jack
OSD Control Membrane	OSD at rear side On board controller, extendable key pad from connector
Power	1 x 3-pin terminal block for DC 9~36V power input
Others	1 x USB type B for touch control Optional I/O: 1 x Speaker 1 x RS-232 DB-9 for touch control

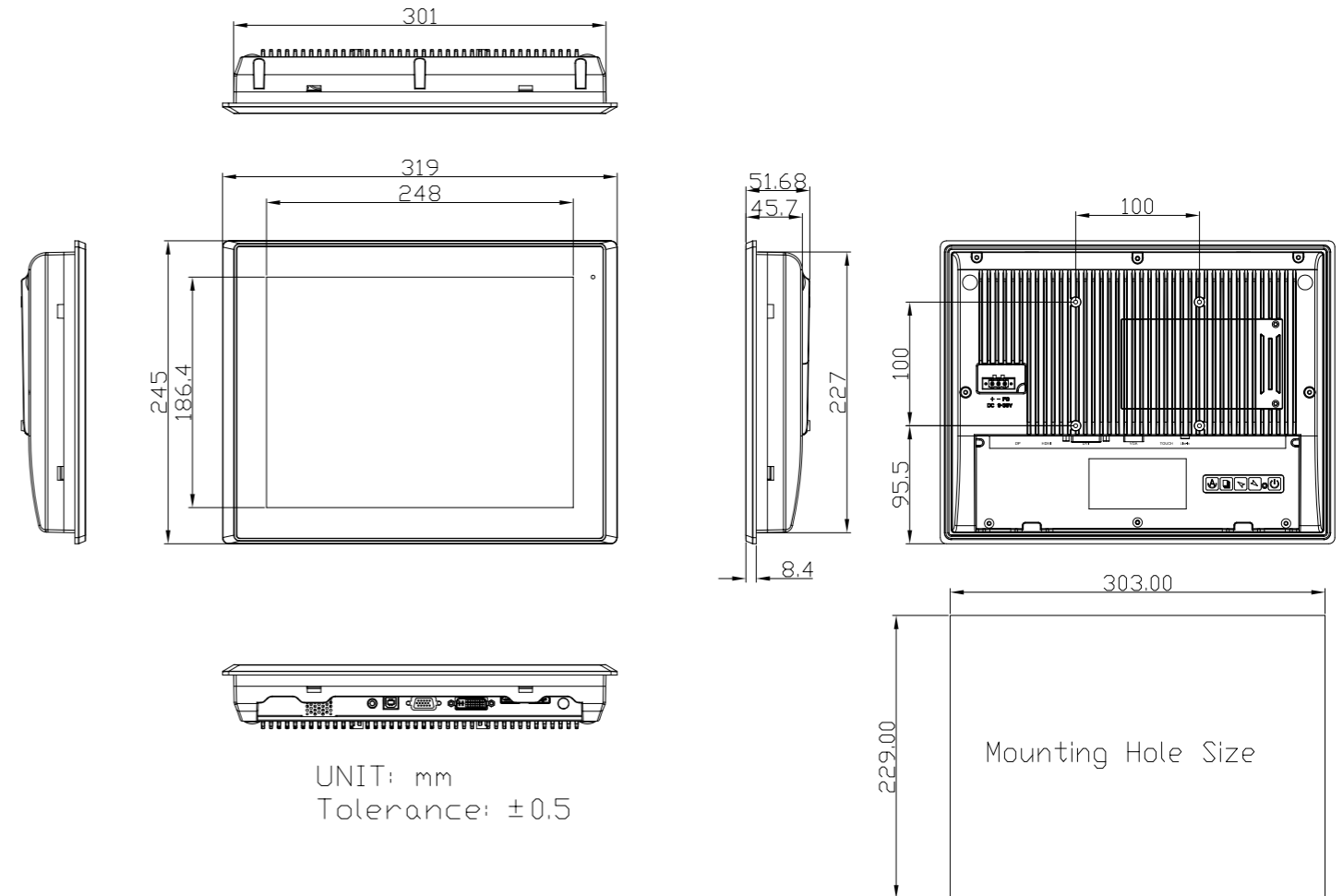
Display	Standard	
Display Type	12.1" TFT LCD	12.1" TFT LCD
Max. Resolution	800 x 600	1024 x 768
Max. Color	16.2M	16.2M
Luminance (cd/m ²)	450	500
View Angle	178(H) / 178(V)	160(H) / 140(V)
Contrast	1500:1	700:1
Backlight Lifetime	50,000 hrs	30,000 hrs

Display	High Brightness (option)	
Display Type	12.1" TFT LCD	12.1" TFT LCD
Max. Resolution	800 x 600	1024 x 768
Max. Color	16.2M	16.2M
Luminance (cd/m ²)	1000	1000
View Angle	178(H) / 178(V)	160(H) / 140(V)
Contrast	700:1	700:1
Backlight Lifetime	50,000 hrs	50,000 hrs

Touch Screen	
Type	Resistive Touch (For ARCDIS-112AR model) Projected Capacitive Touch (For ARCDIS-112AP model) Glass-AR (For ARCDIS-112AG model)
Interface	USB default (Resistive / Projected Capacitive Touch) RS-232 Option (Resistive Touch)
Light Transmission(%)	Resistive Touch : over 80% Projected Capacitive Touch : over 90%

Power	
Power Input	DC 9~36V
Power Consumption	ARCDIS-112AP: 14.8W

Dimensions



Mechanical	
Construction	Aluminum die-casting chassis
Mounting	Panel mount / VESA mount 100 x 100
IP Rating	IP66 compliant front panel / IP69K(option)
Dimensions (WxHxD)	319 x 245 x 51.6 mm
Net Weight	2.7 kg

Environmental	
Operating Temperature	0~50°C / -20~60°C for option
Storage Temperature	-30~70°C
Storage Humidity	10 to 90% @ 40°C, Non-condensing
Certificate	CE/FCC, Class A

Ordering Information	
ARCDIS-112AR-01	12.1" SVGA FPD Industrial display, Resistive touch window, VGA, DVI-D, HDMI, and DP input, 5 keys Rear OSD, DC 9~36V power input with adapter, Aluminum Die-casting Chassis
ARCDIS-112AP-01	12.1" SVGA FPD Industrial display, Projected Capacitive touch screen, VGA, DVI-D, HDMI, and DP input, 5 keys Rear OSD, DC 9~36V power input with adapter, Aluminum Die-casting Chassis