

**SABRENET-12000** Rugged 12-Port Managed  
Gigabit Ethernet Switch



**Low height enclosure with MIL-STD-416 filter**



**High case model with integrated MIL grade power supply**

SabreNet-12000 is a compact rugged switch featuring 12 ports of 10/100/1000Base-T managed Ethernet. The switch is based on Diamond's EPS-12000 compact Ethernet board-level switch. Read more about the EPS-12000 [here](#). The ports are arranged in groups of 4 and 8 on two MIL-DTL-38999 connectors.

The SabreNet-12000 includes embedded Layer 3 routing/switching software with optional IEEE1588 / PTP feature. The switch can be managed via a web interface on any of the ports as well as a local RS-232 port accessed on the 4-port connector.

SabreNet-12000 has passed MIL-STD-810G shock and vibration testing. The test report is available [here](#).

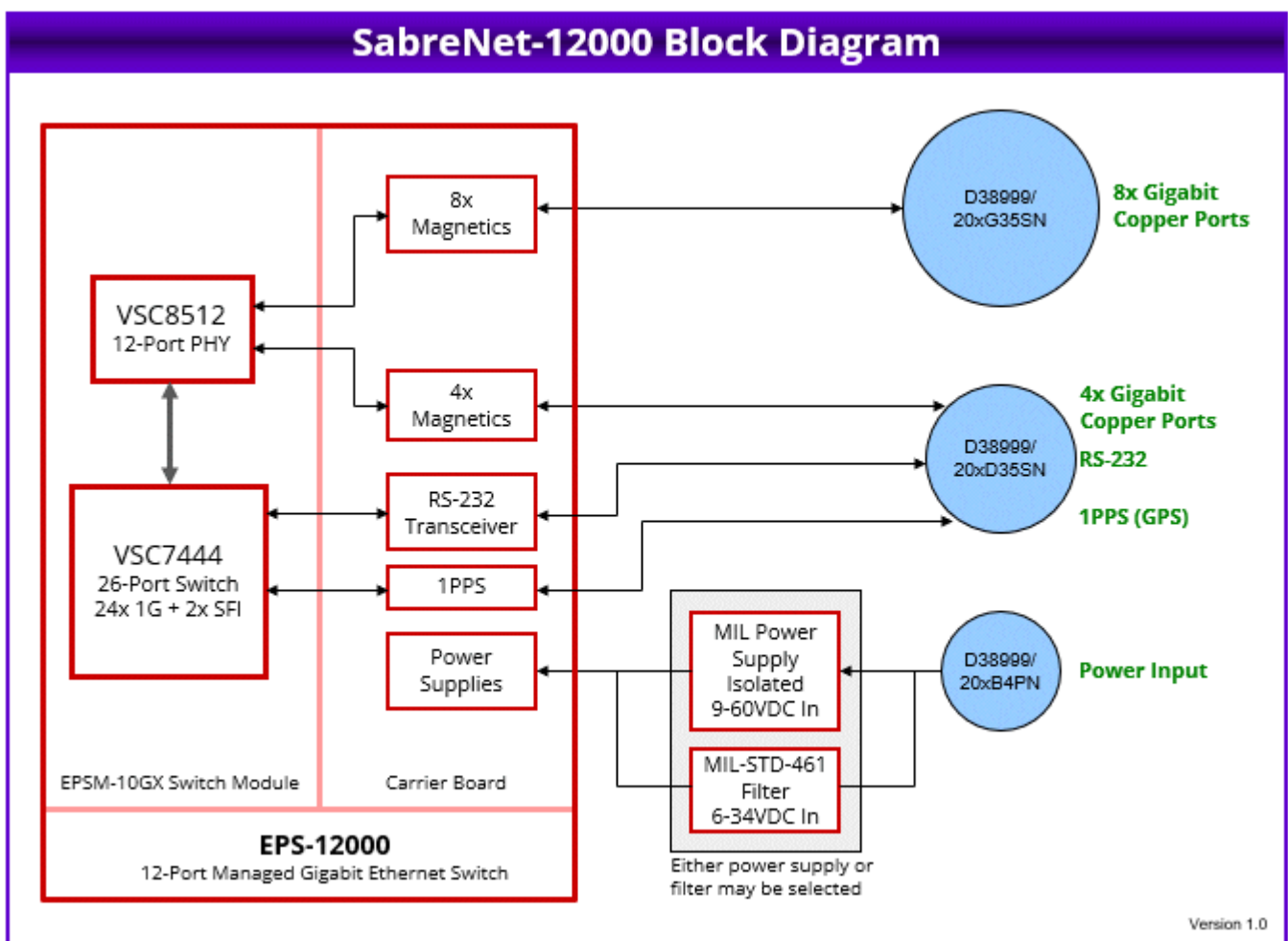
### ◆ Power Supply Options

Two power and enclosure configurations are available:

Models numbered 1xx include a MIL-STD-461 power filter module and support an input voltage range of 7-34VDC. These units are housed in the short enclosure.

Models 2xx include a MIL grade isolated power supply based on Diamond's JMM-7500, which provides compliance to MIL-STD-461, MIL-STD-704, and MIL-STD-1275 and supports an input range of 9-60VDC. These units are housed in the taller enclosure.

### ◆ Block Diagram



### ◆ Ordering Information

### ◆ Models and Accessories

#### SabreNet-12000

##### Available Models:

##### Availability:

**SabreNet-12000-100** 12-Port gigabit managed switch with Layer 3 routing / switching software, 461 filter, and low-profile case

**SabreNet-12000-120** 12-Port gigabit managed switch with Layer 3 routing / switching software, IEEE-1588 / PTP support, 461 filter, and low-profile case

**SabreNet-12000-200** 12-Port gigabit managed switch with Layer 3 routing / switching software, MIL-grade power supply, and high-profile case

**SabreNet-12000-220** 12-Port gigabit managed switch with Layer 3 routing / switching software, MIL-grade power supply, IEEE-1588 / PTP support, and high-profile case

[www.diamondsystems.com](http://www.diamondsystems.com) | [Sunnyvale, California USA](#) | [+1-650-810-2500](tel:+16508102500) | [sales@diamondsystems.com](mailto:sales@diamondsystems.com)