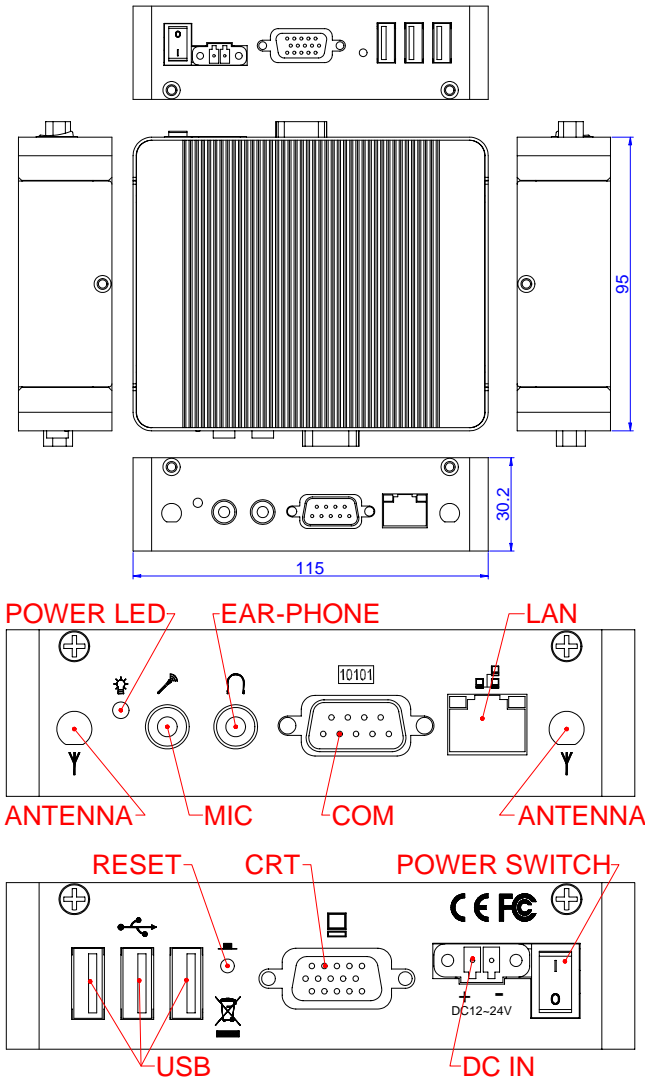


## 1. Brief

The FX5206 is a fanless, compact size embedded system with Vortex86DX2® processor board inside. This user's quick reference provides the I/O outlets description and their pin assignment.

## 2. Dimensions (in mm) and Front/Rear Panel Information



## 3. Packing List

### A. Standard Items

- 1 FX5206 embedded system.
- 1 2-pin apartable terminal block for power input.
- 2 screws for mini-card installation.
- 1 compact disc includes software utilities and manuals.

### B. Optional Items

- Panel mounting kit (FX5311K1, P/N: 0606010019G, 1 piece of metal with 2 fixed screws)
- Din-Rail mounting kit (AK1009, P/N: 0606010032R, 1 piece of metal with 2 fixed screws)
- Half size mini PCIe module adapter kit (AK1006, P/N: 0606010028G, 1 piece of metal with 2 screws)

## 4. Features

### \* Processor Board

Vortex86DX2 CPU (800MHz, 256KB L2, 300MHz FSB, 5.0W) low power processor with 1GB DDR2 RAM on-board. (2GB DDR2 is maximum)

### \* I/O Outlets

1 GbE ports, 3 USB ports, and 1 RS-232/422/485 port.  
1 VGA (Analog), 1 Microphone, and 1 Line-out (Earphone) connectors.  
1 power input (2-pin terminal block), 1 power switch, and 1 power LED indicator.

### \* Storage Bay

1 CFast socket, 1 SD socket, and 1 SIM socket.  
1 mini PCIe socket. (for full size mini cards).

### \* Power requirement

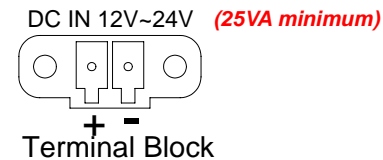
+12 ~ +24V DC, 1.12A maximum (0.77A typical) with 19V input voltage.

### \* Dimensions

95.0mm (D) x 115.0mm (W) x 30.2mm (H) without rubber stands and DIN-rail kit.

## 5. I/O outlets and LED Indicators

### A. Power Connector



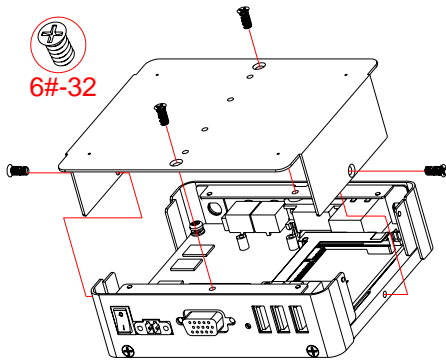
### B. LAN LED Indicators (RJ45)

The LAN ports are all RJ45 connector with 2 LEDs. The orange LED indicates data is accessing and the green LED indicates on-line status.

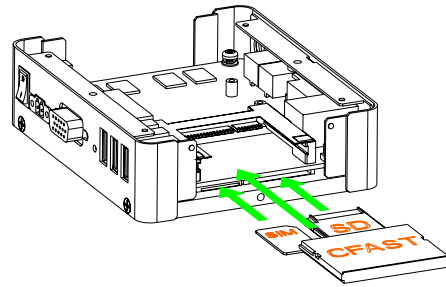
## 6. Software Configuration and Driver Installation

Please refer to the driver installing documentaion in the included Compact Disc for installing what device driver you need. If you need to change the system settings or configurations of I/O ports, Please refer to User's Manual (also in the included Compact Disc) for details.

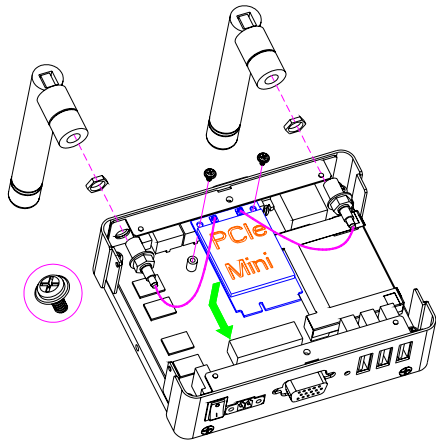
## 7. Open the FX5206 for installing CFast, SD, SIM, and mini cards (WLAN+Antenna)



Release 4 screws as upper figure shown

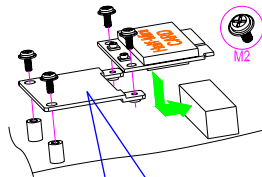


Install CFast, SD, and SIM Modules



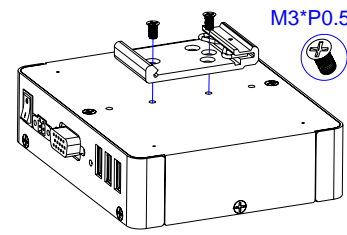
Install mini PCIe Module and Antenna

After all installations done, close cover and fasten 4 screws.

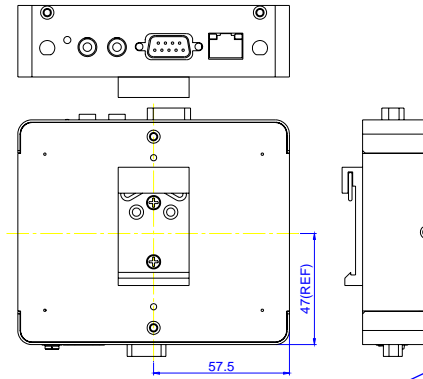


Note: Installing half-size mini PCIe adapter (optional) for half size modules if necessary

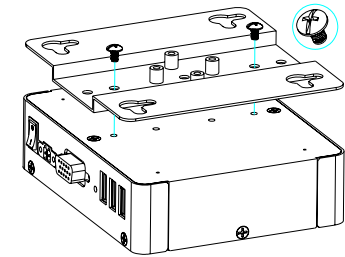
## 8. Installing DIN-rail Kit and Panel (VESA) Mounting Kit (all are optional)



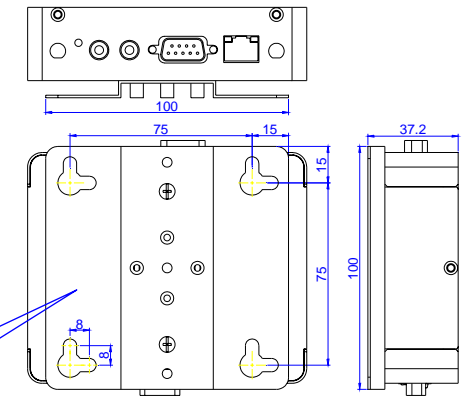
DIN-Rail Kit (2 screws)



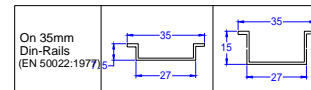
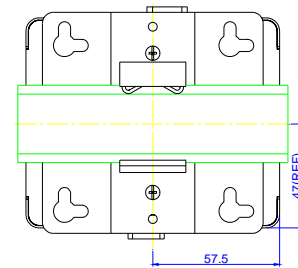
VESA 75 standard



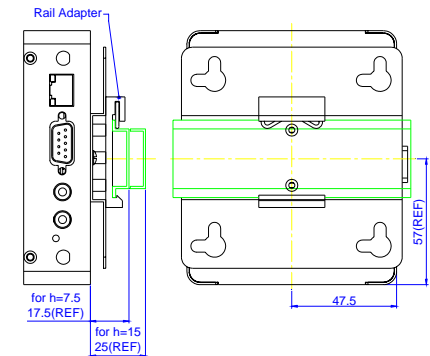
Panel Mounting Kit (2 screws)



KIT DIN-Rail Bracket Dimension



OTHER CHOICE



DIN-Rail Kit with Panel Mounting Kit

End of Document